

M1-8 Push-to-Close Latch

Lift-to-open · Flush

Features

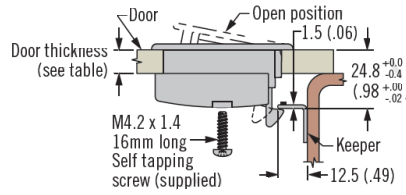
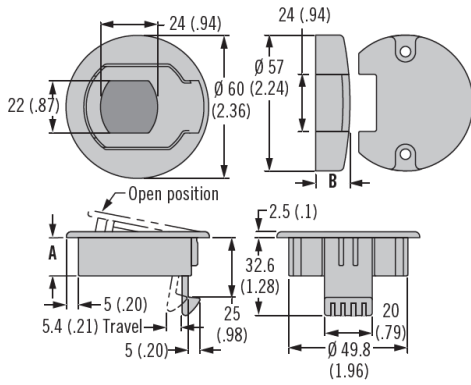
- Low profile
- Non-corrosive and non-conductive

Material

- Latch: Acetal, black
- Mounting hardware: Stainless steel



Mounting Cup



| Door Thickness Range | A | B | Part Number |
|------------------------|----------|------------|-------------|
| 1 - 7 (.04 - .28) | 16 (.63) | 20.4 (.80) | M1-81 |
| 7 - 13 (.28 - .51) | 16 (.63) | 14.3 (.57) | M1-82 |
| 13 - 19 (.51 - .75) | 22 (.87) | 14.3 (.57) | M1-83 |

80 Push-to-Close Latch

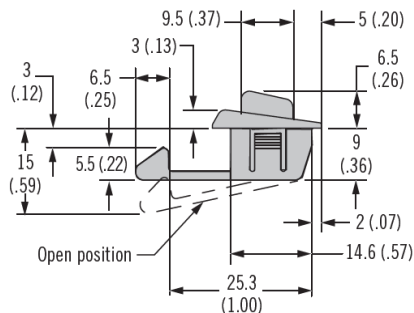
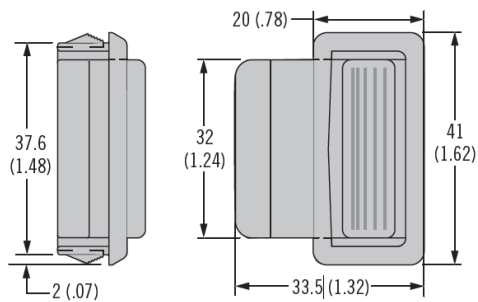
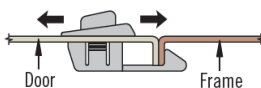
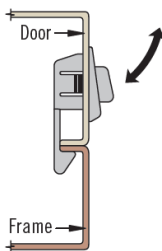
Push-to-open · Snap-in

Features

- Snap-in installation
- Non-corrosive and non-conductive
- Suitable for sliding or hinged doors

Material

- Acetal, black or white



| Color | Part Number |
|-------|-------------|
| White | 80-201 |
| Black | 80-202 |

southco®

We are proud to be Southco's authorized distributor of over 20 years